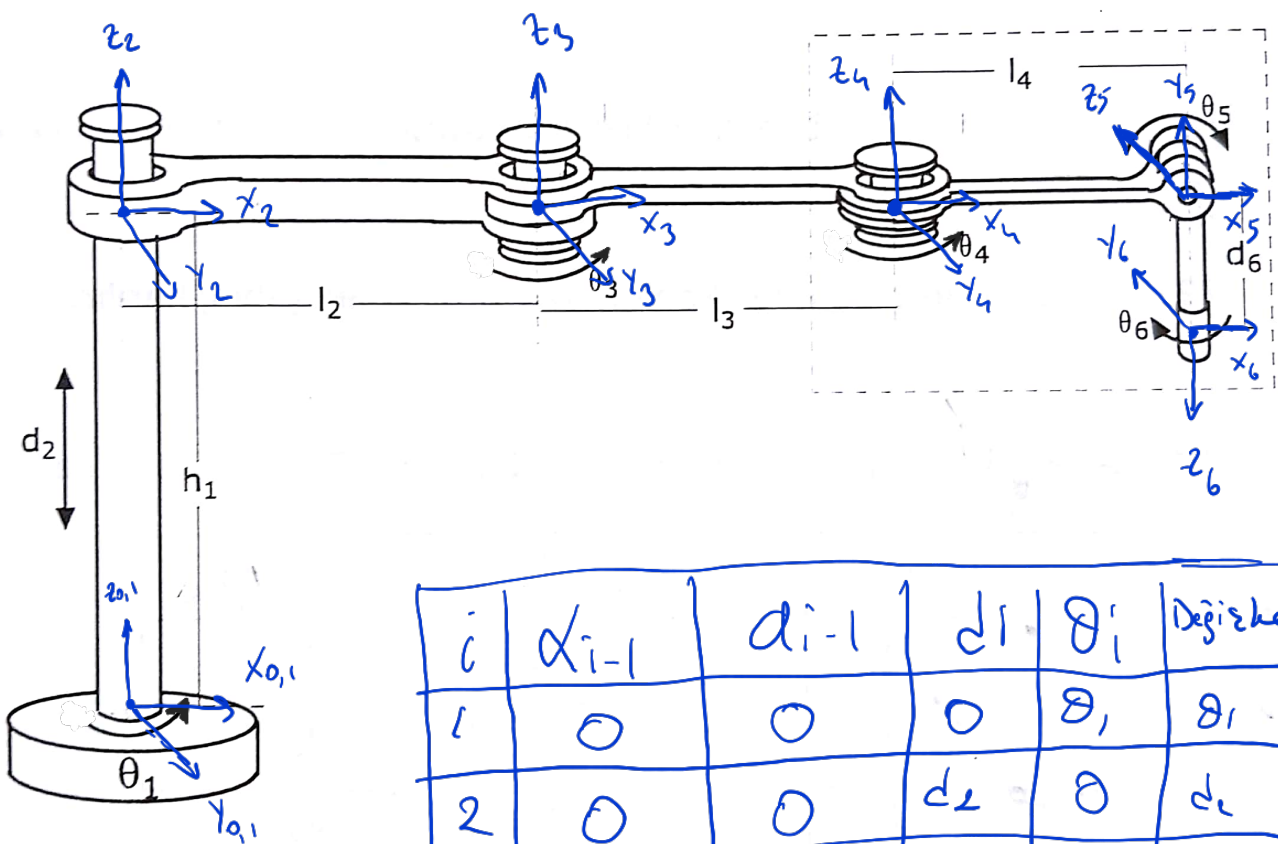
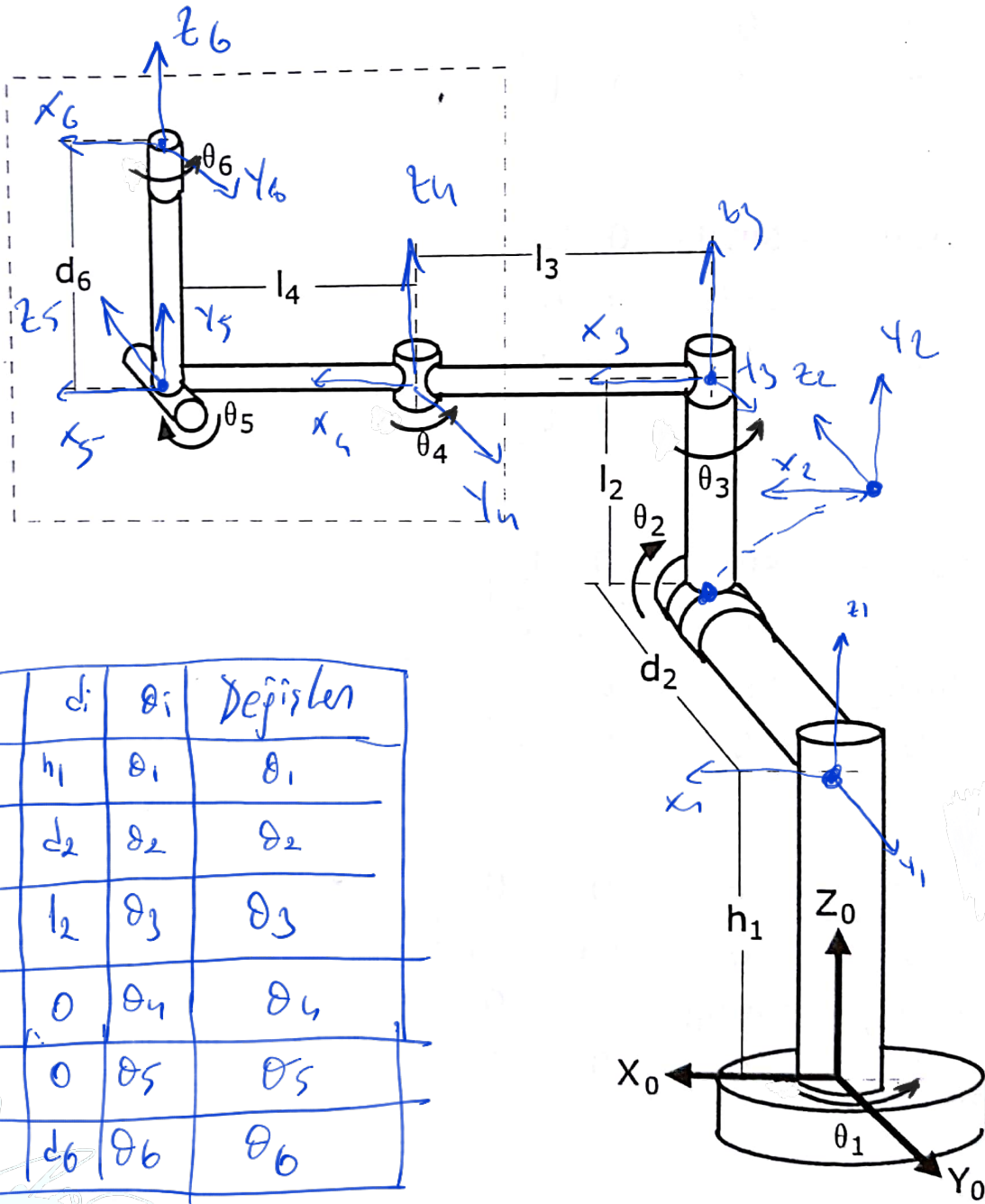


$${}^{i-1}T_i = \begin{bmatrix} c\theta_i & -s\theta_i & 0 & d_{i-1} \\ s\theta_i c\alpha_{i-1} & c\theta_i c\alpha_{i-1} & -s\alpha_{i-1} & -s\alpha_{i-1} d_i \\ s\theta_i s\alpha_{i-1} & c\theta_i s\alpha_{i-1} & c\alpha_{i-1} & c\alpha_{i-1} d_i \\ 0 & 0 & 0 & 1 \end{bmatrix}$$



i	α_{i-1}	d_{i-1}	d_i	θ_i	Değişken
1	0	0	0	θ_1	θ_1
2	0	0	d_2	0	d_2
3	0	l_2	0	θ_3	θ_3
4	0	l_3	0	θ_4	θ_4
5	-90	l_4	0	θ_5	θ_5
6	-90	0	d_6	θ_6	θ_6

$${}^0_6 T = {}^0_1 T {}^1_2 T {}^2_3 T {}^3_4 T {}^4_5 T {}^5_6 T$$



i	α_{i-1}	d_{i-1}	d_i	θ_i	Değişken
1	0	0	h_1	θ_1	θ_1
2	90	0	d_2	θ_2	θ_2
3	-90	0	l_2	θ_3	θ_3
4	0	l_3	0	θ_4	θ_4
5	90	l_4	0	θ_5	θ_5
6	-90	0	d_6	θ_6	θ_6

$${}^0 T_6 = {}^0 T_1 {}^1 T_2 {}^2 T_3 {}^3 T_4 {}^4 T_5 {}^5 T_6$$